
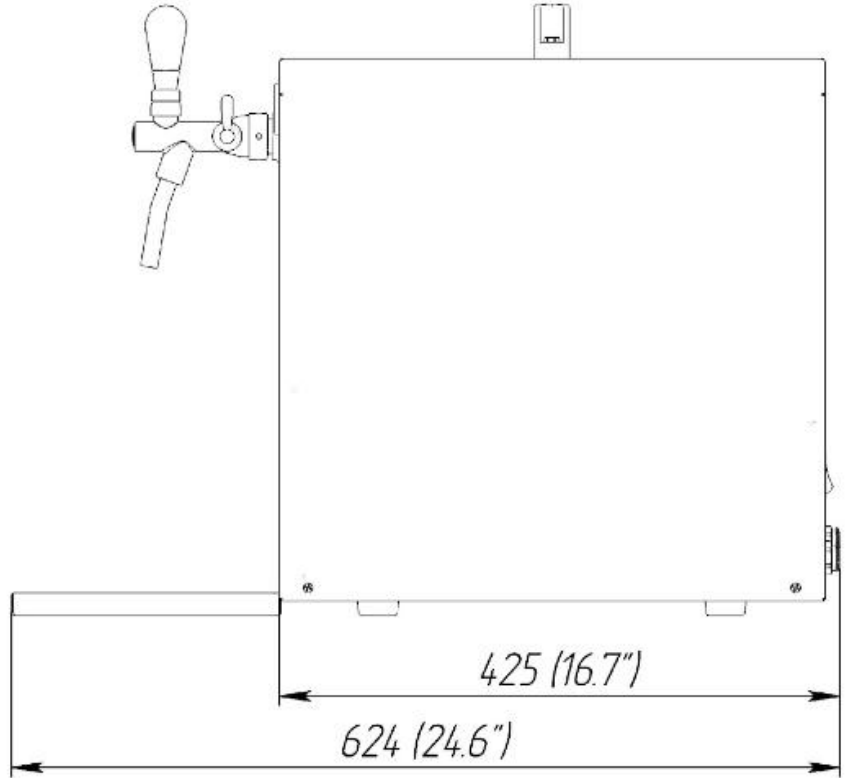
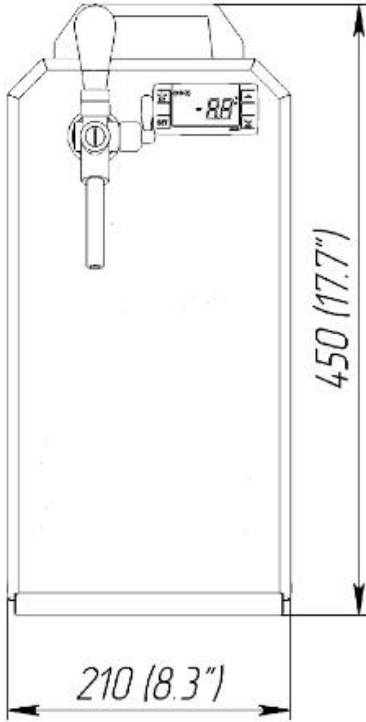


Specifications

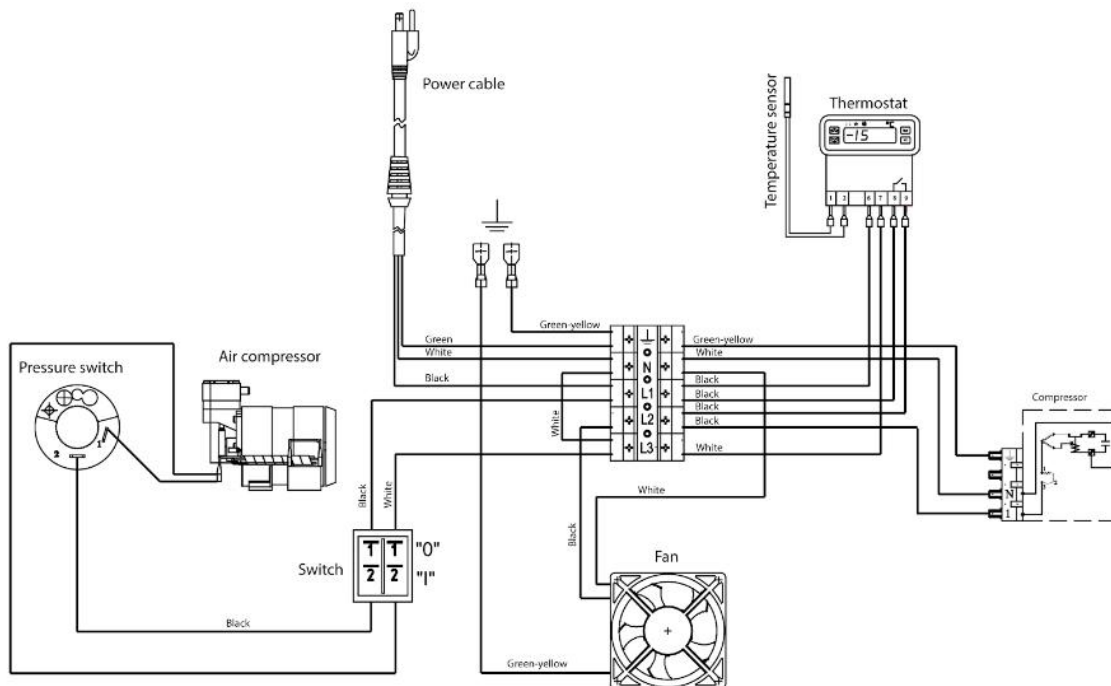
| | |
|--------------------------------------|---|
| INTERNAL NUMBER | 408.00.000.00-XX |
| PART NUMBER | SPUTNIK 1/6 K |
| COMPRESSOR POWER, HP | 1/5 |
| CAPACITY, BTU/H, EVAP 20°F | 1825 |
| DEDICATED CIRCUIT, AMP | 15 |
| PLUG TYPE (NEMA #) | 5-15P  |
| VOLTAGE, V / FREQUENCY, HZ | 115 / 60 |
| OPERATING AMPERAGE, A | 5.2 |
| REFRIGERANT | R290 |
| OUTLET TEMPERATURE, °F | 32÷46 |
| OPERATING AMBIENT TEMPERATURE, °F | 60-90 |
| NUMBER OF COILS (ST. STEEL AISI 304) | 2 |
| | 46 |
| COIL'S LENGTH, FT | 46 |
| INLET FITTING, IN | 3/8 |
| WIDTH, IN | 8.3 |
| DEPTH, IN | 24.6 |
| HEIGHT, IN | 17.7 |
| WEIGHT GROSS/NET, LB | 77/73 |
| POWER CORD LENGTH, FT | 6 |



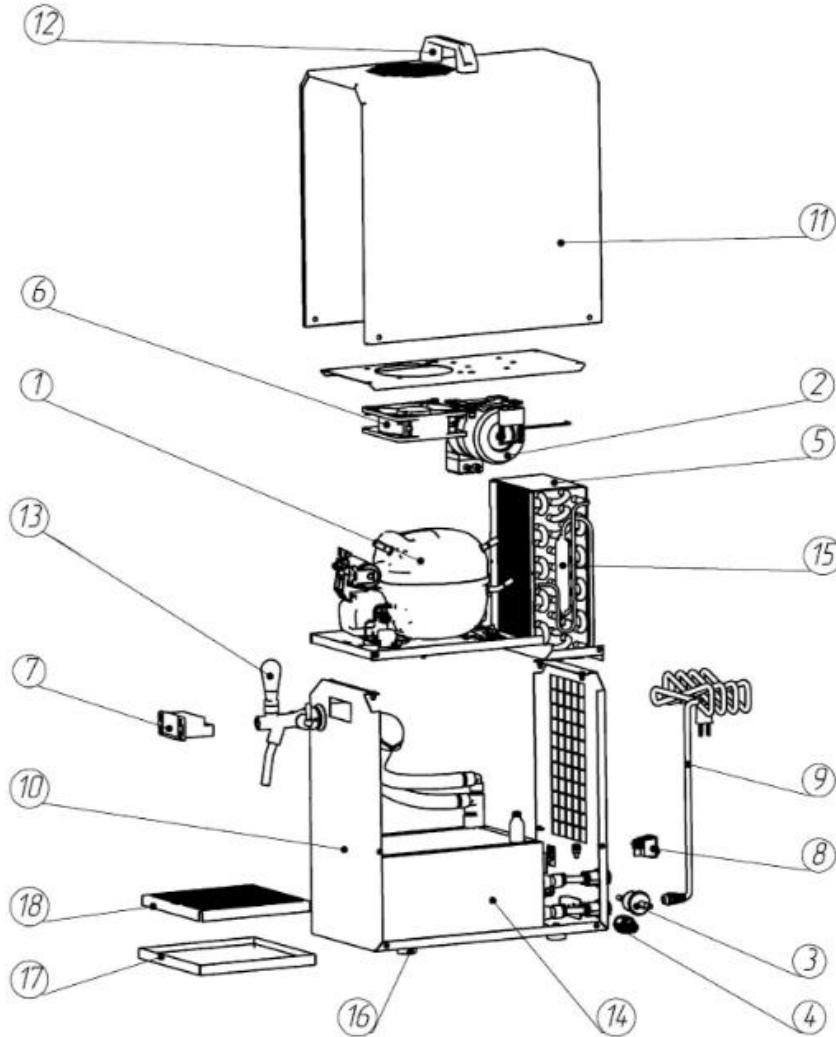
Overall dimensions



Wiring diagram



Parts



| | | | |
|---|---|----|----------------------------------|
| 1 | COMPRESSOR «CUBIGEL» NLY45RRA (115V/60HZ) | 10 | BASE |
| 2 | AIR COMPRESSOR 15RNS 115V 60HZ | 11 | COVER |
| 3 | AIR FILTER | 12 | HANDLE «MESAN» CODE 086 |
| 4 | PRESSURE SWITCH | 13 | TAPS |
| 5 | CONDENSER «KARYER» B-13147 | 14 | HEAT EXCHANGER |
| 6 | FAN «SUNON» SP100A1123XBT (115V 50/60HZ) | 15 | FILTER-DRIER «BVB» GR-15 6,1/2,5 |
| 7 | THERMOSTAT «DIXELL» XR02CX-4N0F1 (115V/60 HZ 20A) | 16 | LEGS |
| 8 | AIR COMPRESSOR POWER SWITCH «ARCOLECTRIC» C6053ALBG (GREEN) | 17 | DRIP PAN |
| 9 | POWER CABLE NEMA 5-15P | 18 | GRID TO DRIP PAN |