

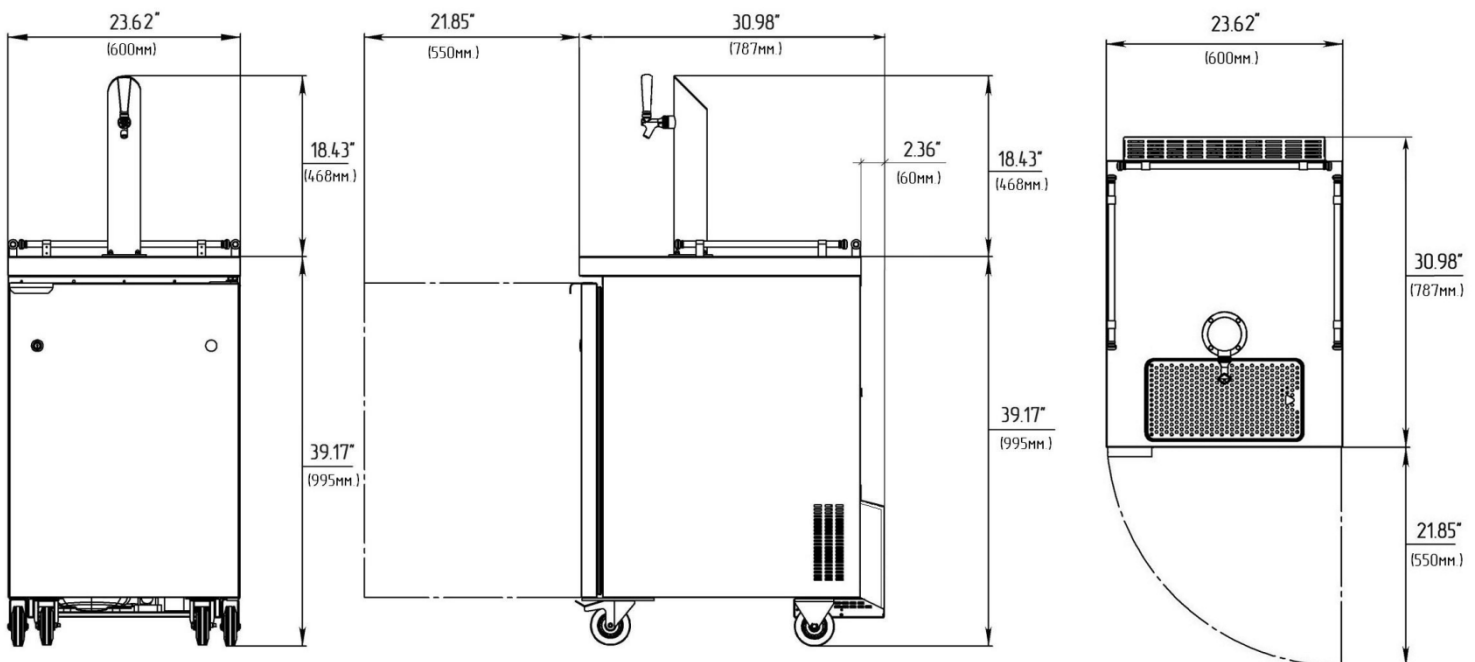
# Refrigerator KegMaster2

## Specifications



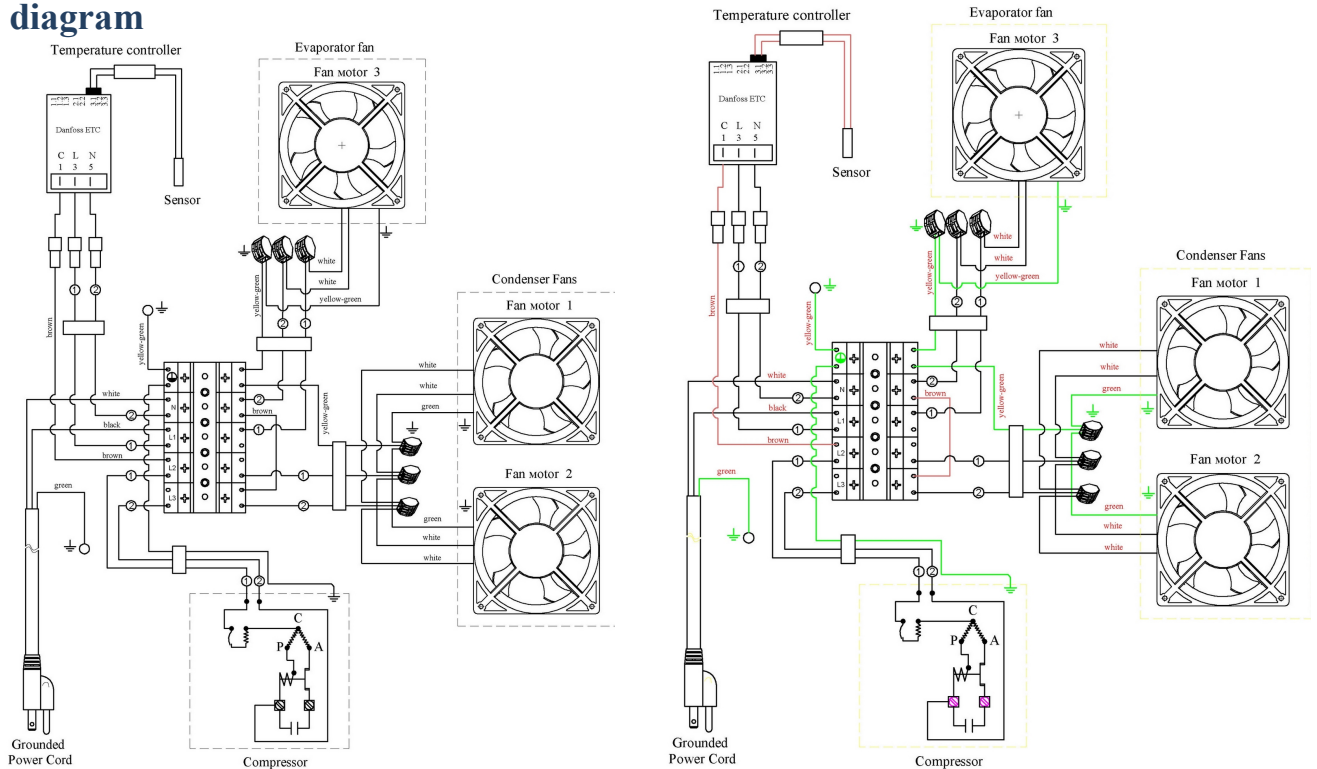
Internal Number	500.00.000.00-38
Part Number	KegMaster 2
Capacity, BTU/H evap 20 F	1000
Dedicated Circuit, A	15
Compressor Power, HP	1/5+
Power consumption, Wt	278
Operating amperage, A	4,2
Internal volume, l	214
Net volume, l	188
Refrigerant	R134a
The temperature in the inner volume, °F	28 ÷ 37
Width, in	23,62
Depth, in	30,98
Height, in	39,17
Height of the column, in	57,6
Net Weight, lbs	141,1
Power cord length, ft	7
Operating ambient temperature, °F	50÷90
Clearance	at least 3,15" around the entire unit
Refrigerant (R-134a) charge, lb	0,397
Maximum capacity keg container (50 l), pcs	1
Slew rate the product (up to 35.6 °F) at T= 89.6 °F	15h.22min.

## Overall dimensions

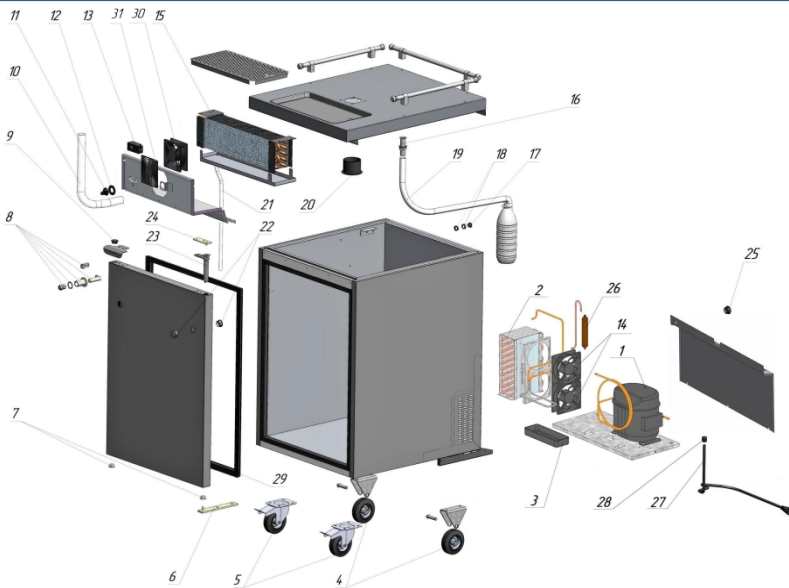


# Refrigerator KegMaster2

## Wiring diagram



## Parts



1	Compressor - « Embraco » NEK 6144Z 115V/60Hz (1/5 HP)	12	Plate for knob thermostat - cod. 077B7677	23	Hinge - cod. 303.18.500.02
2	AIR Condenser - type B-13147; or «Vis-therm» 02098 3/8"- 4x10-112A-3,8P)	13	Thermostat - type ETC 1H1, 0T55, cod. 077F1588	24	Bracket door - cod. 500.03.300.00
3	Drip tray - cod. 500.06.000.10	14	Condenser Fans - "EBM" 4606 ZWU-879 (115V/60Hz), 17B <sub>T</sub> , 2 pcs.	25	Cap - type 62MP1000
4	Wheels - type 080x32	15	Evaporator - type B-13148 (or «Vis-therm» 02100 3/8"- 4x5-400A-3,8P)	26	Drier filter - type GR-30
5	Wheels - type 080x32, with brake	16	Drain tube - type 20x75 cod.0001	27	Power cord - SJTOW 16AWG/3 105°
6	Bracket door - type S1401	17	Cap -type 20x75 cod.0001	28	Clamp - type 23MP06N34EZ
7	Nylon bushing - cod. 303.18.500.02	18	Protective ring - type 22MP01060	29	Magnetic gasket - cod. 500.03.200.00
8	Lock - Mechanical lock kit "Banggu" 20mm., 90°, Ø18,3mm.	19	Drain hose - PVC , ID=0,71(in). OD=0,87(in)	30	Evaporator fan - "EBM" 4606 ZWU-879 (115V/60Hz), 17B <sub>T</sub>
9	Cap -type - POP-875, cod.3083	20	Bushing - cod. 500.02.000.01	31	Grid - type PB-12 "Sunon"
10	Air conduit - ID=0.984 in. cod. 076470	21	Drain hose - RAUALCO SK-017-029 RAU- PVC 8766 cod. 049203-001		
11	Knob thermostat - cod. 077F8726	22	Cap - type POP-1000, cod.3086		