


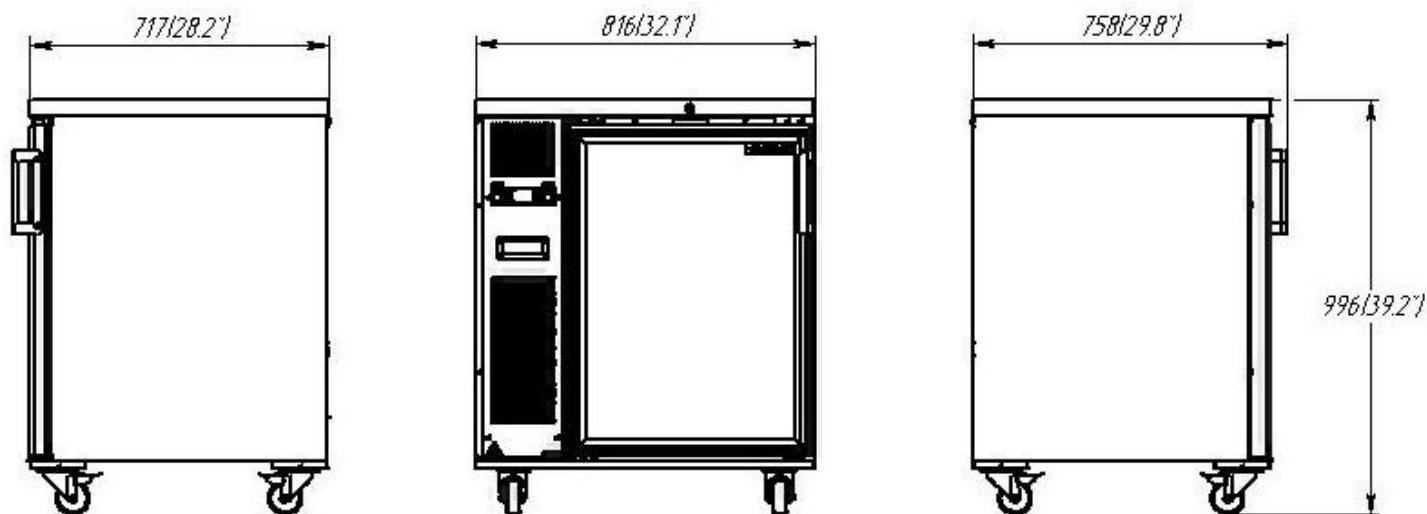
# Refrigerator KegBar BB-100

## Specifications



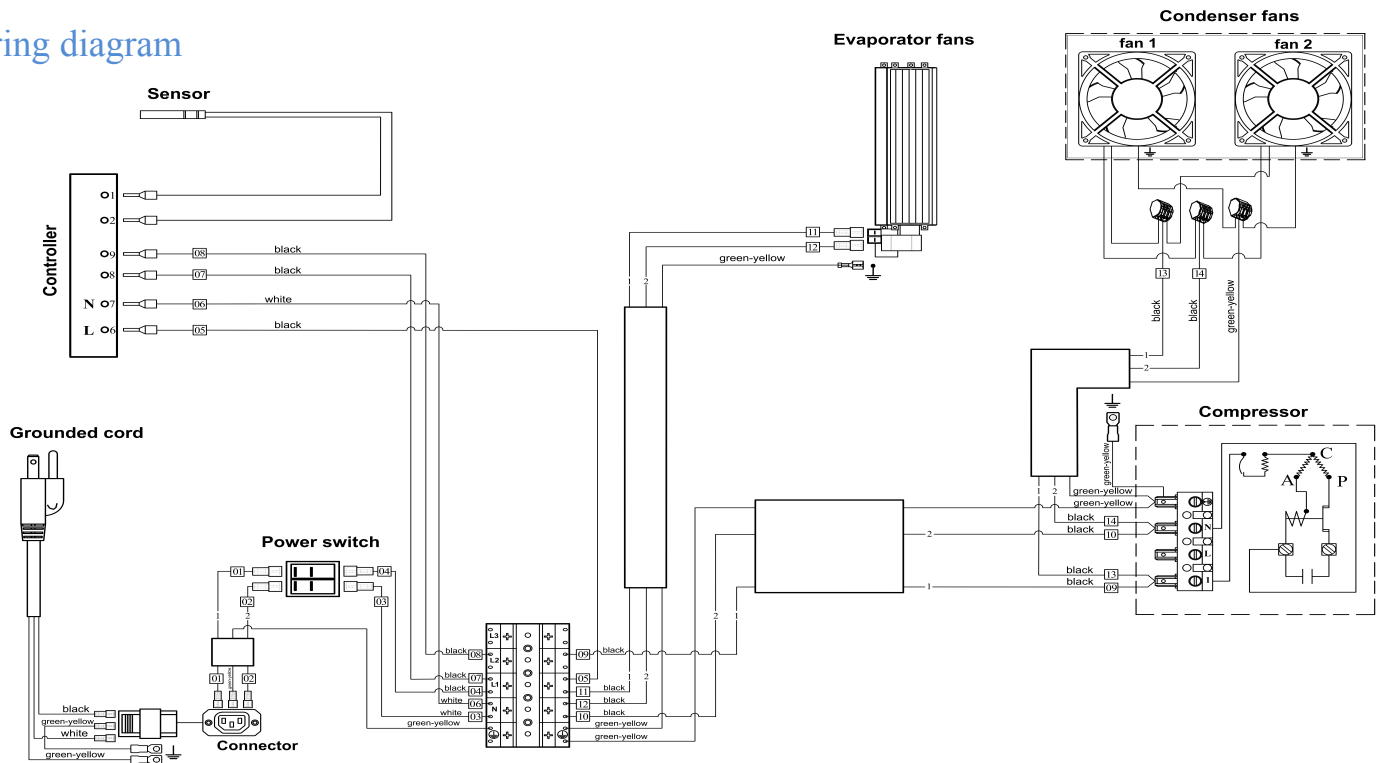
Internal Number	515.00.000.00-02
Part Number	KegBar BB-100
Capacity, GPH ( $\Delta T = 36^{\circ}F$ )	
Dedicated Circuit, amp	15 
Compressor Power, HP	1/3+
Power consumption, Wt	650
Operating amperage, A	2.8
Internal volume, l	232
Net volume, l	198
Refrigerant	R134a
The temperature in the inner volume, $^{\circ}F$	34 ÷ 39
Width, in	32,1
Depth, in	29,8
Height, in	39,2
Height of the column, in	57,6
Net Weight, lbs	212,0
Power cord length, ft	6,6
Operating ambient temperature, $^{\circ}F$	75 ÷ 90
Clearance	at least 12" around the entire unit
Refrigerant (R134a) charge, lb	0,6614
Maximum capacity keg container (50 l), pcs	1
Slew rate the product (up to 39 $^{\circ}F$ at T=88 $^{\circ}F$ )	17h.46min.

## Overall dimensions

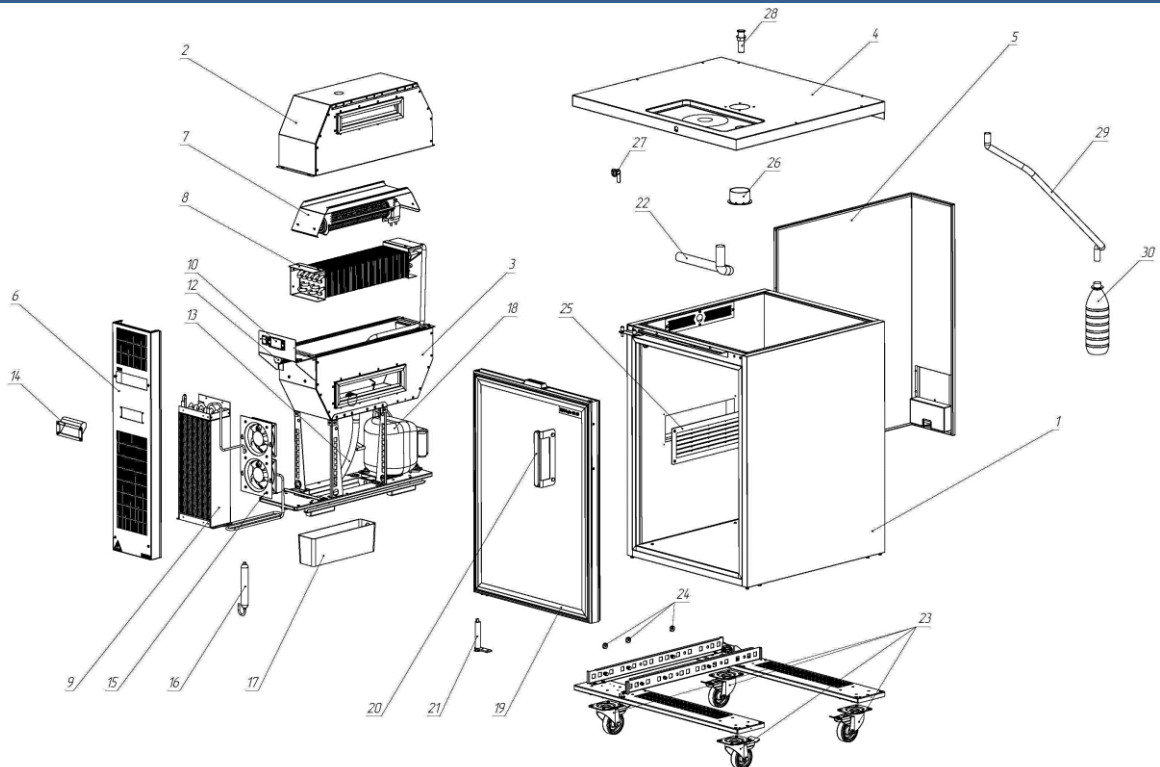


# Refrigerator KegBar BB-100

## Wiring diagram



## Parts



1	Housing	12	Terminal pod KL-5P	22	Hose REHAU RAUALCO SK-017-029 RAU PVC 8766
2	Upper cover assembly	13	Hose	23	Wheel KASTOR 3104-S-080-P
3	Lower cover assembly	14	Handle	24	Bearing 80026
4	Board	15	Condenser fan "EBM" 4606 ZWU-879	25	Ventilation grid DV-350
5	Rear wall	16	Filter drier "BVB" GR-40	26	Bush
6	Wall	17	Tub to collect meltwater	27	Mechanical lock "Bangu"
7	Evaporator fan "Fergas" NCB-LL60x300R 16-0 K1013	18	Compressor "EMBRACO" NE 6170 Z	28	Connection
8	Finned KARYER B-13148	19	Door	29	Hose food
9	Air condenser GRAN 3140376	20	Door handle	30	Plastic bottle
10	Thermostat "DIXELL" XR02CX-4N0F1	21	Bracket VKHU.301568.038		